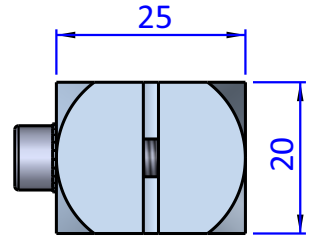
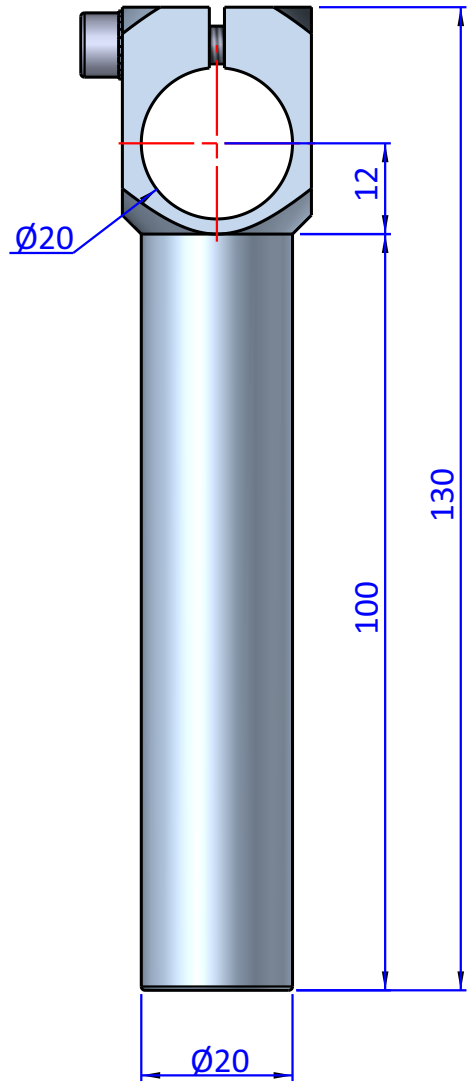
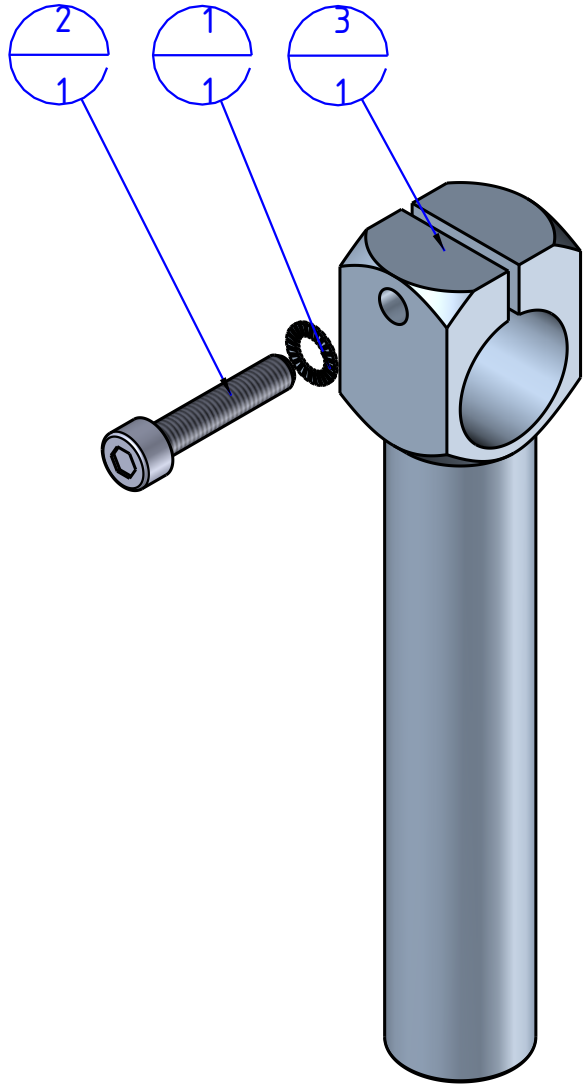

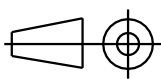


Item	Name	Q.ty
1	R.5.SCH	1
2	V.TCE5x25	1
3	WKA.20.20.100	1



THE PROPERTY OF THE DRAWING IS ESTABLISHED BY LAW. IT IS FORBIDDEN TO PRODUCE OR SHOW IT TO THIRD PART - WITHOUT A WRITTEN AGREEMENT.

Format A4 UNI 936-76	 FPS SERVICES AUTOMATION			DESIGNED FROM FPS Automation	REVIEW A
	GENERAL TOLERANCE UNI - ISO 2768 CLASSE f		DESCRIPTION CA.WKA.20.20.100	DATE 25/08/2020	WEIGHT 0,068kg
				CODE CA.WKA.20.20.100	